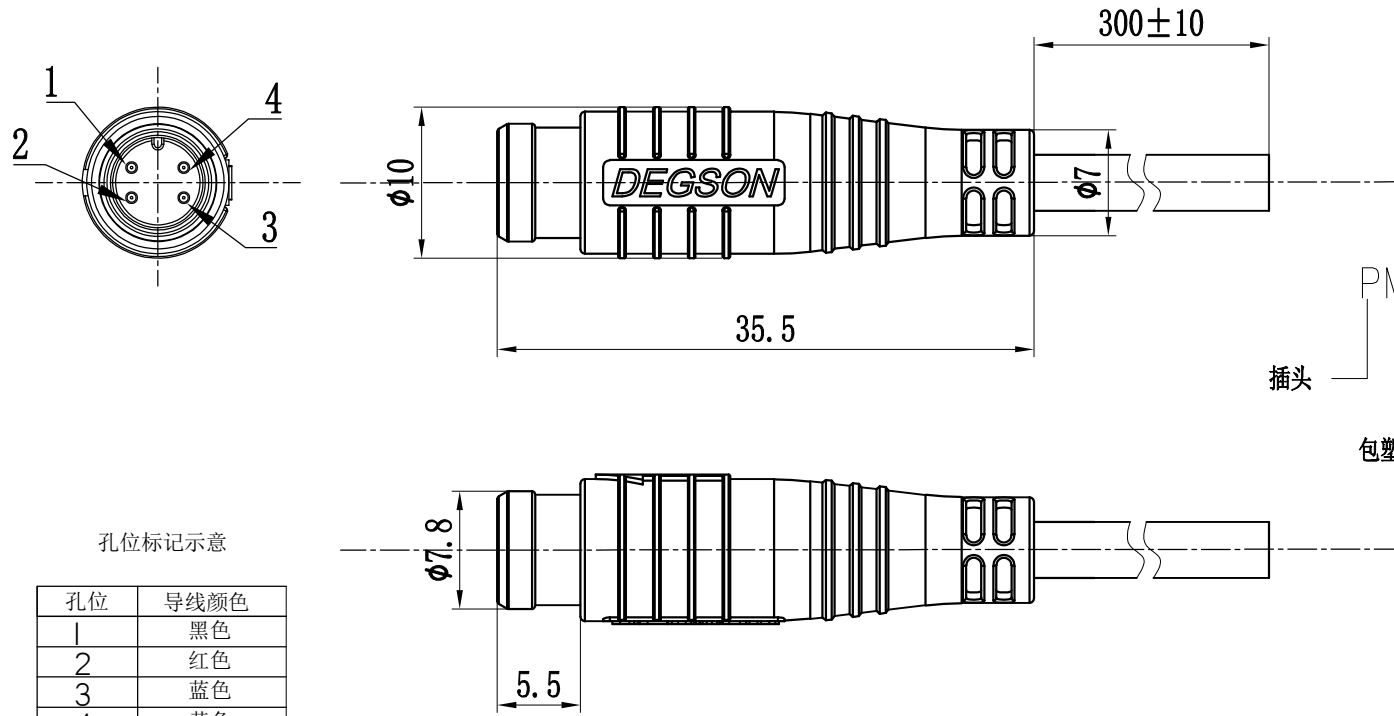


Transfer or duplication of this document as well as the utilization or communication of its contents are prohibited unless explicit authorization is granted. Violations will be liable for compensation. All rights reserved for patent, utility model or designs registrations. 除非给予明确授权，否则禁止转让、复制、利用、交派本文件的内容。未经许可擅自复制或传播，侵权者将承担法律责任。侵权者将承担法律责任。

| 未注公差/General tolerances(mm) | | | | | | | | | | | | | 0.1/10 |
|-----------------------------|-------|-------|-------|-------|-------|-------|-------|-------|-------|-------|-------|-------|--------|
| 0 | >3 | >6 | >10 | >18 | >30 | >50 | >80 | >120 | >180 | >250 | >315 | >400 | |
| ~3 | ~6 | ~10 | ~18 | ~30 | ~50 | ~80 | ~120 | ~180 | ~250 | ~315 | ~400 | ~500 | ~500 |
| ±0.12 | ±0.18 | ±0.22 | ±0.26 | ±0.31 | ±0.37 | ±0.57 | ±0.80 | ±0.93 | ±1.05 | ±1.15 | ±1.60 | ±2.20 | ±2.50 |

未标尺寸请参考3D文件



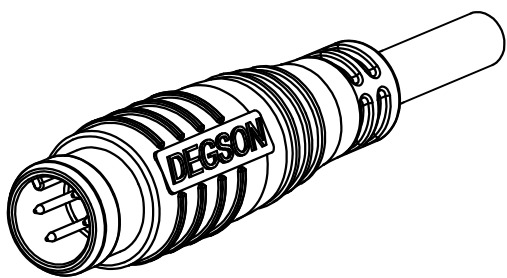
孔位标记示意

| 孔位 | 导线颜色 |
|----|------|
| 1 | 黑色 |
| 2 | 红色 |
| 3 | 蓝色 |
| 4 | 黄色 |

PM-EBS-0004-M-L300-00A(H)

插头
包塑式
系列名称
公端
通用型环保产品
线长300mm

产品插针数量
功率针0pin,
PE针0pin,
信号针4pin



| | |
|---|--------------|
| 额定电压/Rated Voltage/Current | 48V/2A |
| 绝缘电阻/Insulation resistance | ≥30MΩ |
| 插拔次数/Mechanical working life(mating cycles) | 100 |
| 耐电压/Withstanding voltage | 300V AC |
| 使用温度范围/Operating temperature(°C) | -25~+85 |
| 防水等级/Levels of protection | IP66 (mated) |
| 接线方式/Terminal | Soldering |
| 导线外径范围/Wire range(mm) | 3.7 |

| | | | |
|-----------------------|---|-------------|------------|
| MATERIAL: / | SURFACE: / | | |
| MAT NO.: | 宁波高松电子有限公司 NINGBO DEGSON ELECTRICAL CO., LTD | | |
| STATUS: / | | | |
| APPD: | NAME: PM-EBS-0004-M-L300-00A(H) | | |
| CHKD: | DRAWING NO.: | | |
| DRFT: ZhuCG 2021.8.20 | SCALE: 2:1 | | REV TO |
| REV | ECN | DESCRIPTION | DRFT DATE |
| ① | | | 20XX.XX.XX |
| SIZE: A4 | TYPE: CUSTOMER DRAWING | SHEET | 1/1 |

| REV | ECN | DESCRIPTION | DRFT | DATE |
|-----|-----|-------------|------|------------|
| ① | | | | 20XX.XX.XX |